



# Thermocouple Melt temperature sensor angled version Series GF-7042/W

## PRODUCT FEATURES

- ✓ Thermocouples  
acc. to DIN EN 60584
- ✓ High precision thermo cable
- ✓ High precision measuring system
- ✓ Single / double measuring system
- ✓ Electrical isolated or not isolated
- ✓ Pure silver interior design
- ✓ Durable
- ✓ Process and failsafe
- ✓ Temperature and long term stable
- ✓ ATEX version
- ✓ FDA / CE compliant version

## TECHNICAL DETAILS

### Thermo voltage

Fe-CuNi/J-L, NiCr-Ni/K, Pt-RhPt/S-R

### Sensor measures

Measuring tip 4,0/5,2 mm x length

Sealing pin 10,0 mm, conically

### Form of the measuring tip

Cylindrical, spherical

Further versions on request

### Material

Special stainless steel

Further versions on request

### Process connection

M12 x 1

### Process temp. at the measuring tip

Up to +400°C depending on version

### Special features

Special coating

Further versions on request

### High - quality cable types

Thermocouple cables

All available versions

### Connectivity

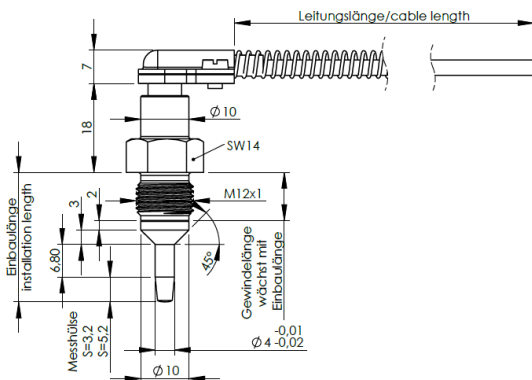
Free ends, plug, special

### Special version

Customized, on request

<b>Standard version</b>											
	GF-7042	/G									
<b>Number of measuring systems</b>											
1 x			1								
2x			2								
<b>Type of element</b>											
Fe-CuNi Type J				FK-J							
Fe-CuNi Type L				FK-L							
Fe-CuNi Type K				NC							
Check element selection											
<b>Electrical properties</b>											
Grounded				e							
Isolated				i							
<b>Diameter measuring tube</b>											
Standard 4f7 with length of 6 mm					5,2						
Further versions on request											
<b>Installation length</b>											
Standard 45 mm						45					
Standard 60 mm						60					
Further versions on request											
<b>Size of the thread</b>											
Standard M12 x 1							VS-41				
Further versions on request											
<b>Cable length in mm</b>											
Mention in mm								XXXX			
<b>Cable type</b>											
Glass fiber - Glass fiber - stainless steel braid									Without mention		
Glass fiber - Glass fiber - stainless steel braid - PTFE									GL-GL-PVA-TE		
R - Glass fiber - R - Glass fiber - stainless steel braid									RGL-RGL-PVA		
Check cable types											
<b>Connection</b>											
Free Ends, 60 mm										A	
Check ends										PRF	
Thermo plug „S“ Standard / „M“ Mini										TSTXS	
Round plug bayonet lock										CST3PB	
Round plug screw lock										CST3PS	
Check plug types											
<b>Temperature Measuring tip</b>											
Mention in °C											400°C
<b>Order code (example)</b> → GF-7042 /W 1 FK-J. e. 5,2 45 VS-41 3000. A 400°C											

MEASURES



**DIGITAL DATA**  
2D, 3D and CAD

[to Download](#)