

## Thermocouple Melt- & mass temperature Series GF-7043

### PRODUCT FEATURES

- ✓ Thermocouples  
acc. to DIN EN 60584
- ✓ High precision thermo cable
- ✓ High precision measuring system
- ✓ Single / double measuring system
- ✓ Electrical isolated or not isolated
- ✓ Pure silver interior design
- ✓ Durable
- ✓ Process and failsafe
- ✓ Temperature and long term stable
- ✓ ATEX version
- ✓ FDA / CE compliant version

### TECHNICAL DETAILS

#### Thermo voltage

Fe-CuNi/J-L, NiCr-Ni/K, Pt-RhPt/S-R

#### Process connection

½"-20UNF, M18x1, M14, M10, M8

#### Form of the measuring tip

Sword, cone, spherical, special form

#### Length of the measuring tip / measuring system

0/5/10/15/20/25 mm in standard

Lengths up to 60 mm possible

#### Shaft length / Installation length

76/152 mm in standard

Lengths from 36 mm to 400 mm possible

#### Process temp. at the measuring tip

Up to +600°C depending on version

#### Material of the measuring tip

Stainless steel, Hastelloy,  
Special ceramics

#### High - quality cable types

Thermocouple cables  
All available versions

#### Connectivity

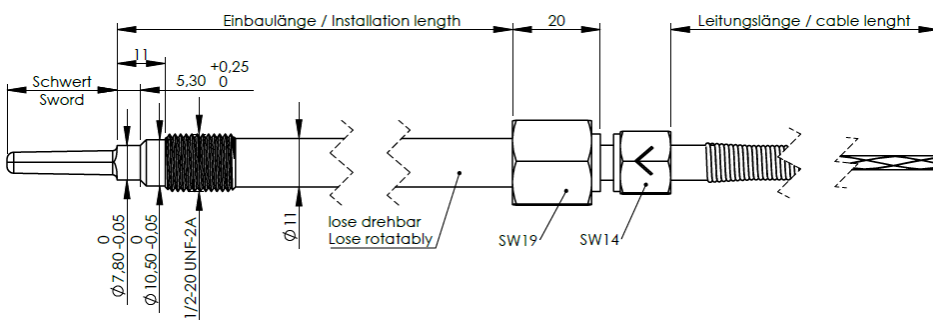
Free ends, plug, special

#### Special features

Coatings WCB, TiAlN, TiCN  
Screw-in thread loosely rotatable  
Customized special versions

<b>Standard version</b>									
	GF-7043								
<b>Special version</b>									
Standard version without mention									
Special ceramic for thermal isolation		/KER							
Measuring tip made of Hastelloy		/HY							
Reinforced measuring tip		/VS							
ATEX		EX							
<b>Number of measuring systems</b>									
1 x			1						
2x			2						
<b>Type of element</b>									
Fe-CuNi Type J				FK-J					
Fe-CuNi Type L				FK-L					
Fe-CuNi Type K				NC					
Check element selection									
<b>Electrical properties</b>									
Grounded				e					
Isolated				i					
<b>Process connection</b>									
½"-20UNF-2A, pin dimension 5,3 mm				DD					
½"-20UNF-2A, pin dimension 6,3 mm				DG					
M18x1,5				BK					
M14x1,5				M14					
M10x1				M10					
Special version									
<b>Length and form of the measuring tip</b>									
Standard sword design 5/10/15/20/25 mm									
Mention length of the sword in mm									
Version with protruding measuring point				/2					
Conical sword design				/KON					
Special version									
<b>Installation length</b>									
Standard 76 mm						76			
Standard 152 mm						152			
Mention in mm									
<b>Version of the cable outlet</b>									
Straight							G		
Angled, 90°							W		
Thermo plug							T		
LEMO plug							L		
Diode plug							D		
Further versions on request									
<b>Cable length in mm</b>									
Mention in mm							XXXX		
<b>Cable type</b>									
Glass fiber - Glass fiber - stainless steel braid								without mention	
Glass fiber - Glass fiber - stainless steel braid - PTFE								GL-GL-PVA-TE	
R - Glass fiber - R - Glass fiber - stainless steel braid								RGL-RGL-PVA	
Check cable types									
<b>Connection</b>									
Free Ends, 60 mm									A
Check ends									PRF
Thermo plug „S“ Standard / „M“ Mini									TSTXS
Round plug bayonet lock									CST3PB
Round plug screw lock									CST3PS
Check plug types									
<b>Temperature measuring tip</b>									
Mention in °C									400°C
<b>Order code (example)</b> → GF-7043 . 1. FK-J. e. DD . 152. G. 3000. CST3PS. 400°C									

MEASURES



**DIGITAL DATA**  
2D, 3D and CAD

[to Download](#)